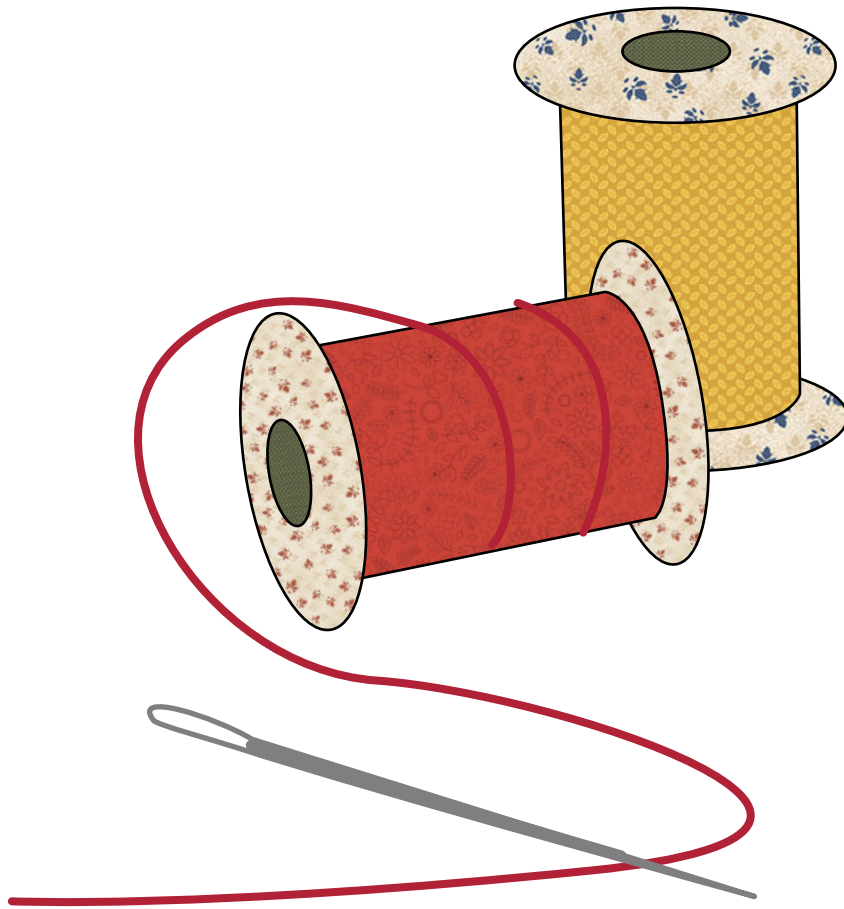
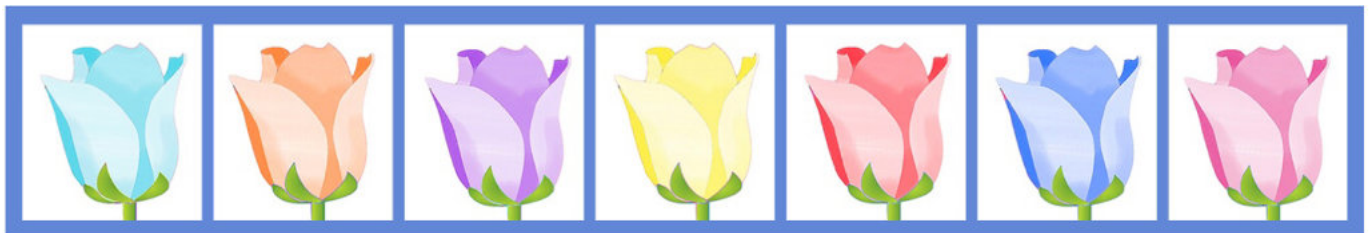


Applique a Day



Sewing B - design 294 of 365



TULIP SQUARE PATTERNS

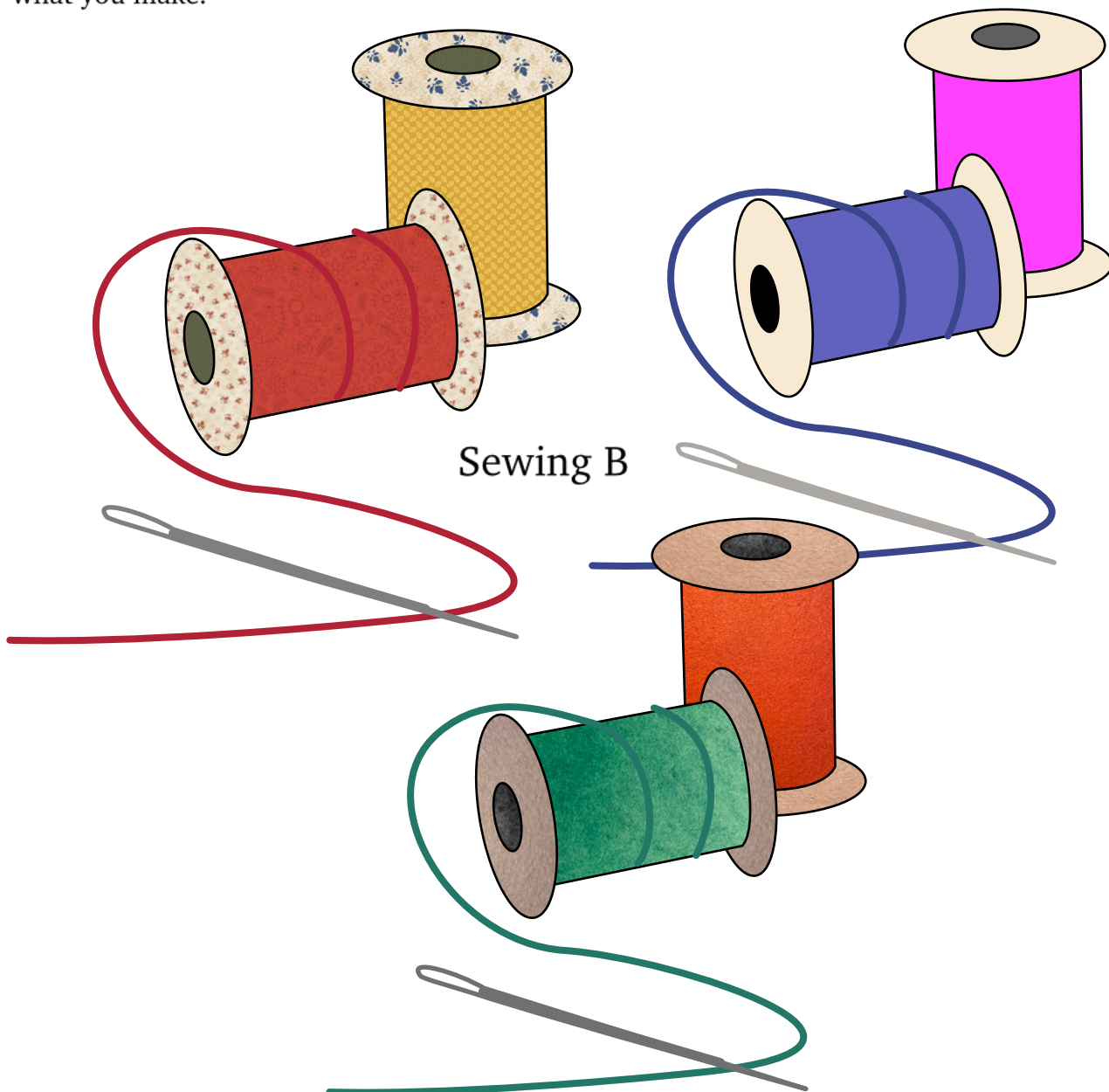
Appliqué a Day - for a whole year!

Here is your free appliqué for June 21st, number 294 of 365 designs.

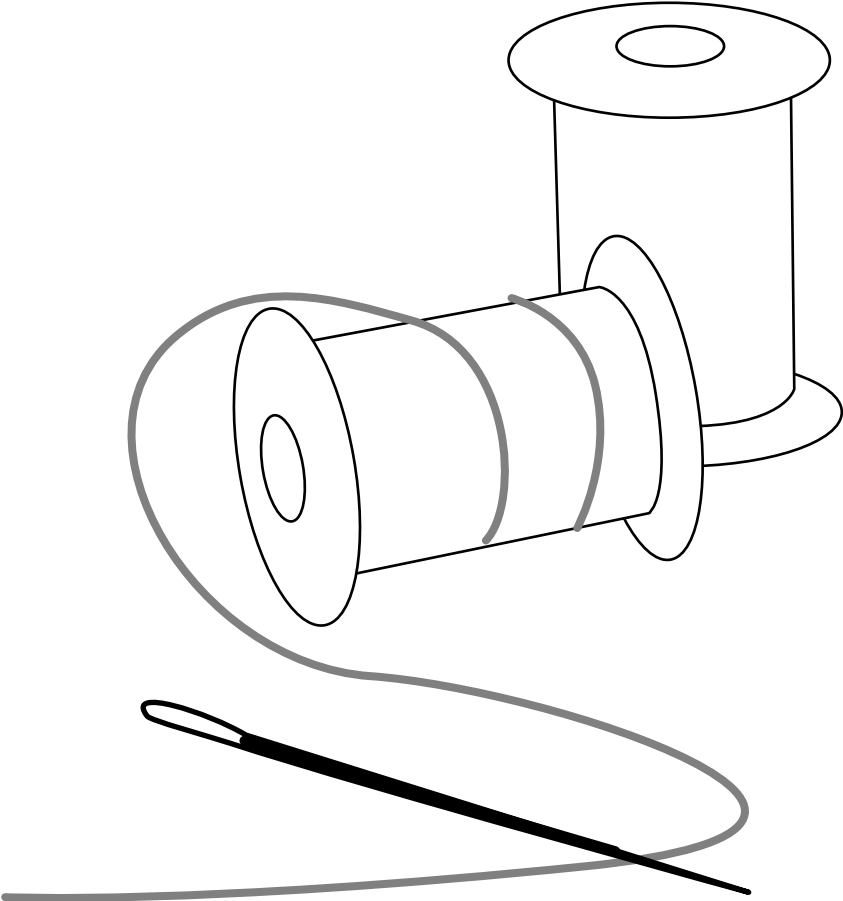
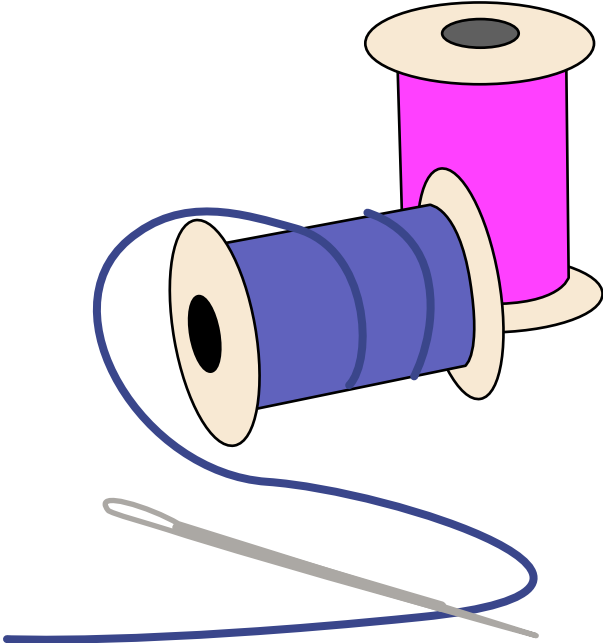
You can use any of our appliqué designs for many different projects like pillows, potholders, wall hangings, placemats, quilt blocks and more. They can be used for felt appliqué, raw edge appliqué, embroidery and other crafts. You could even print them out and color them!

Check back everyday for a new free design, for an entire year!

Each design includes full color images to give you an idea of what it could look like, plus a full size placement guide and full size pieces to trace. (You can also print them out larger or smaller if you need to.) Please share your creations on our social media, or email us, we'd love to see what you make.



PLACEMENT GUIDES FOR SEWING B



CUTOUTS FOR SEWING B

